





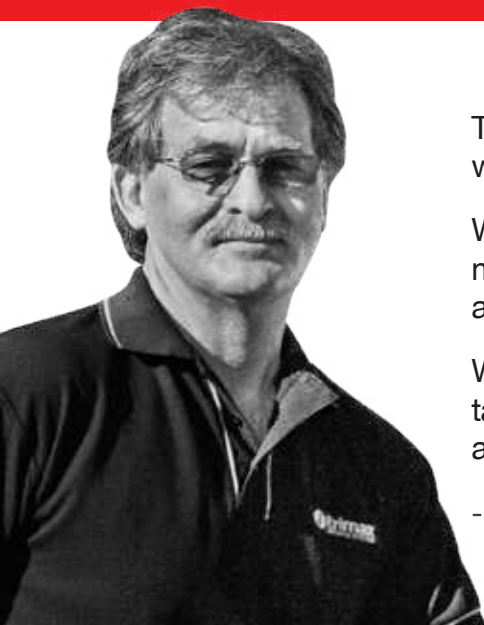
# Forming valuable enduring partnerships with our Trimax family.

Our belief at Trimax is that our customers are like family, and like family we look out for each other.

Our comprehensive range of commercial mowers has been designed with our family in mind, which means we're building machines that produce the best cut possible whilst ensuring you spend less time and money on maintenance.



[www.facebook.com/trimaxmowingsystems](http://www.facebook.com/trimaxmowingsystems)  
[www.trimaxmowers.co.uk](http://www.trimaxmowers.co.uk)



The birth of Trimax had a lot to do with modern day kiwifruit production, which was pioneered in New Zealand during the 1970's.

Whilst servicing the horticulture industry, Trimax gained demand for its machines in parks and reserves because of the product's quality of cut and strong build.

We have now grown to be a market leading brand around the world and take pride in knowing and supporting our customers and dealer networks as we work together to drive new mowing innovations.

- Bob Sievwright, Founder and CEO of Trimax Mowing Systems

## 1981

First production of Ezeemow, Mowcraft & Mulchmasta flail mowers.



## 1983

Pride, Procut and veemow disc mowers & the Procut S1 rotary roller mowers in production.



## 1985

First exports to Australia and a dedicated research and development department.



## 1991

Stealth S1 released.



## 1992

First exports to Great Britain & awarded best exporter of the year.



## 1993

Topper S1 released. Awarded exporter of the year.



## 1995

First exports to the United States.



## 1997

Windsor Castle and surrounding grounds start using the Trimax ProCut for their Maintenance.



## 1998

The opening of a Trimax distribution warehouse in Great Britain.



## 2001

The Pegasus S1 is released. First rotary roller mower in the USA for Fine Turf.



## 2011

30th Anniversary of Trimax observed.



## 2014

The Trimax Snake is released. A fully dedicated sports turf and municipality mower.



# “We believe our service the industry!”

**Frank Burns** - Trimax parts team member



## **Genuine Trimax Parts**

When you order parts from us you'll be sure to only ever receive genuine Trimax parts for a better performance and a longer life from your machine.



## **Technical Support**

Our team of experienced parts personnel have the knowledge to help you through any problems you may have. Dedicated to providing one of the best customer service models in the industry, you'll be sure to get what you need quickly and efficiently.



## **Next Day Delivery**

We understand the implications of downtime and what that means for your profitability, so where possible we make sure you can receive your orders overnight.

model is one of the best in



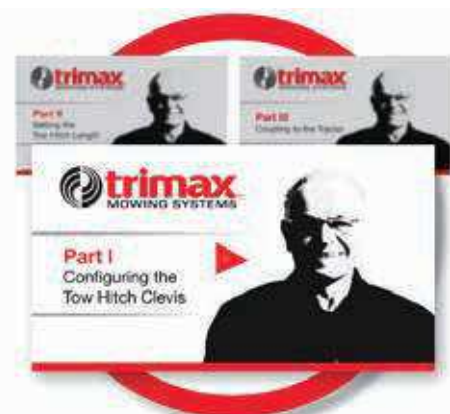
“Gain access to a library of reference material at [www.trimaxmowers.co.uk](http://www.trimaxmowers.co.uk)”



**Register at  
My Trimax**



**Access Product &  
Spares Information**



**View Training  
Videos**



**“Not only does it produce a great cut, but the large diameter rollers create a neat, crisply-striped finish, enhancing the appearance of every mown surface”.**

- Jonathan Boot from Boot of Lydstep on his Trimax Pegasus S3 rotary mower.



**“The machines are in use 10 hours a day 5-6 days a week... We are very pleased with these mowers, the quality of cut is great & reliability has been outstanding. We’ve just ordered a 4th Trimax Pegasus to add to the fleet!”**

- Julian Acton from GMS Contracting, UK.



**“From the point of first enquiry, the customer service I received was first class. We can also mow with confidence when the grass is wet, knowing that it doesn’t clog the machine up. As well as doing a great job, the machine is also a sound investment as the striker will certainly save us money on servicing and fuel costs”.**

- Chris Parry from Loughborough Endowed Grammar.



**“40 recreation grounds mowed with a quality finish using 30% less fuel and in 60% less mowing time”.**

- Allan Moffatt from Bracknell Town Council on their switch to Trimax rotary mowers.



**STRIKER**  
Rotary Mower

9-10



**PROCUT S3**  
Rotary Mower

11-12



**PROCUT FM**  
Rotary Mower

13-14



**STEALTH FM**  
Rotary Mower

15-16



**STEALTH S3**  
Rotary Mower

17-18



**SNAKE**  
Rotary Mower

19-20



**PEGASUS S3**  
Rotary Mower

21-22



**X-WAM**  
Rotary Mower

23-24



**EZEEMOW FX**  
Flail Mower

25-26



**FLAILDEK FX**  
Flail Mower

27-28



**WARLORD S3**  
Flail Mower

29-30

Trimax has a policy of continuous improvement, therefore models may change without notice.



# Striker

## Trimax presentation for compact tractors

Designed for tractors in the 25-45hp range, Striker has Trimax LazerBladez™ fitted as standard for improved grass distribution and less clumping. The full-width front-and-rear rollers produce an attractive striped pattern and guard against scalping for a consistent finish.

Striker is designed to withstand tough conditions. It has variable height adjustment for year round mowing and an enclosed cutting chamber for added safety.

Able to mow quickly at a high standard, Striker is ideal for educational and sports facilities and green spaces where presentation is key.

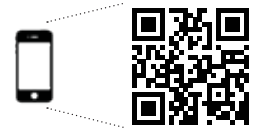
Ask us how Striker can transform your environment.







	Striker 150	Striker 190																				
Cutting Width	1460mm (57")	1940mm (76")																				
Overall Width	1560mm (61")	2040mm (80")																				
Cut Height Range	10-100mm (3/8" - 4")	10-100mm (3/8" - 4")																				
Height	825mm (32")	825mm (32")																				
No. of Blade Spindles	3	4																				
Approx. Weight	310kg	390kg																				
Power Required	25hp	45hp																				
Warranty (Years)	3	3																				
Application	<table border="0"> <tr> <td>—</td> <td>●</td> <td>—</td> <td>—</td> <td>●</td> <td>●</td> <td>—</td> <td>●</td> <td>—</td> <td>—</td> </tr> <tr> <td>Municipality</td> <td>Horticulture</td> <td>Agriculture</td> <td>Turf Farm</td> <td>School</td> <td>Lifestyle</td> <td>Racecourse</td> <td>Sports Field</td> <td>Golf</td> <td>Aviation</td> </tr> </table>		—	●	—	—	●	●	—	●	—	—	Municipality	Horticulture	Agriculture	Turf Farm	School	Lifestyle	Racecourse	Sports Field	Golf	Aviation
—	●	—	—	●	●	—	●	—	—													
Municipality	Horticulture	Agriculture	Turf Farm	School	Lifestyle	Racecourse	Sports Field	Golf	Aviation													



To view more videos visit [www.trimaxmowers.co.uk](http://www.trimaxmowers.co.uk)

# Features

## LOW MAINTENANCE

With only 4 carefully positioned grease points and robust spindles with sealed ball bearings the Trimax Striker has incredibly low maintenance requirements.

## SAFETY

Striker exceeds international safety standards and is backed up by our meticulous testing and support network. Striker is a mower that can be used with confidence even when mowing in confined areas.

## LAZERBLADEZ™

Striker is fitted with Trimax LazerBladez™, a blade system with a carefully engineered centre of gravity and distinctive tilt-forward blade design unique to Trimax. For optimum performance and grass speed.

## ADVANCED DESIGN

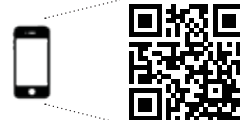
Striker incorporates decades of experience with multi-spindled rotary roller mowers. Lighter than other Trimax mowers, it retains the attention to detail that minimises downtime and makes servicing easy. The cutting system, body integrity and sealed ball bearing spindles have been proven with extensive and rigorous testing.



*“We can cut our pitches more quickly, evenly and cleanly”. “The front and rear rollers stripe the pitches nicely and no tractor wheel marks are left after mowing”. “We can also mow with confidence when the grass is wet, knowing that it doesn’t clog the machine up”.*

Chris Parry - Loughborough Endowed Schools' Head Groundsperson

	P3 178	P3 210	P3 237	P3 290						
<b>Cutting Width</b>	1742mm (69")	2060mm (81")	2316mm (91")	2890mm (114")						
<b>Overall Width</b>	1884mm (74")	2200mm (87")	2460mm (97")	3130mm (123")						
<b>Height</b>	1085mm (43")	1085mm (43")	1085mm (43")	1085mm (43")						
<b>Cut Height Range</b>	10-110mm ( $\frac{3}{8}$ "-4 $\frac{1}{2}$ "	10-110mm ( $\frac{3}{8}$ "-4 $\frac{1}{2}$ "	10-110mm ( $\frac{3}{8}$ "-4 $\frac{1}{2}$ "	10-110mm ( $\frac{3}{8}$ "-4 $\frac{1}{2}$ "						
<b>No. of Blade Spindles</b>	3	3	4	5						
<b>Approx. Weight</b>	503kg	566kg	616kg	712kg						
<b>Power Required</b>	35hp	40hp	45hp	55hp						
<b>Warranty (Years)</b>	3	3	3	3						
<b>Application</b>	●	●	—	●	●	●	●	●	●	●
	Municipality	Horticulture	Agriculture	Turf Farm	School	Lifestyle	Racecourse	Sports Field	Golf	Aviation



To view more videos visit [www.trimaxmowers.co.uk](http://www.trimaxmowers.co.uk)

# Features

## 3 YEAR WARRANTY

We aim to build mowers that last and we back this up with a 3 year warranty which also includes the spindles and gearboxes. Our robust design coupled with our experienced service and support network ensures minimum downtime and more productivity.

## LAZERBLADEZ™

ProCut is fitted with Trimax LazerBladez™, a blade system with a carefully engineered centre of gravity and distinctive tilt-forward blade design unique to trimax. For optimum performance and grass speed.

## FULL WIDTH ROLLERS

Large diameter front and rear rollers on the ProCutS3 follow contours and support the mower across its entire width, providing excellent anti-scalp protection. The mower decks are able to be hung over kerbs and run across concrete areas with no fear of blade strikes.

## LOW MAINTENANCE

To ensure optimum efficiency, the ProCutS3 is fitted with reduced maintenance spindles. This removes the tedious task of regular greasing giving you more time out cutting.

# Options

## QUATTRO BLADE SYSTEM

This system adds 2 more blades to each spindle (2 flat, 2 upturned) for a finer cut on warm season grasses. (Currently unavailable on the 210 model)

## SINGLE ROLLER

These are often used for orchard mowing where the grass is cut very infrequently and low cut heights are not necessary.





# ProCutS3

**Versatile Trimax cutting performance for commercial environments**

The Trimax ProCutS3 is a highly versatile roller mower. This robust machine has been engineered to withstand everyday use in the toughest commercial environments, yet will deliver a cylinder like cut – every time.

ProCut has been a successful part of the Trimax range for nearly 30 years, mowing parks & reserves, school grounds and sports fields throughout the world. The ProCutS3 offers new features, improved performance and is easier to maintain, yet retains many of the aspects that set the original apart from the competition.

Talk to us today about the capabilities of ProCut in your environment.



FITTED WITH **LazerBladez™**





FITTED WITH **LazerBladez™**



## ProCut<sup>FM</sup>

**Versatile Trimax cutting performance for commercial environments**

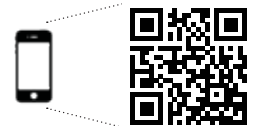
The Trimax ProCutS3 is a highly versatile roller mower. This robust machine has been engineered to withstand everyday use in the toughest commercial environments, yet will deliver a cylinder like cut – every time.

ProCut has been a successful part of the Trimax range for nearly 30 years, mowing parks & reserves, school grounds and sports fields throughout the world. The ProCutS3 offers new features, improved performance and is easier to maintain, yet retains many of the aspects that set the original apart from the competition.

Talk to us today about the capabilities of ProCut in your environment.



	P3 FM 178	P3 FM 210	P3 FM 237	P3 FM 290						
<i>Cutting Width</i>	1742mm (69")	2060mm (81")	2316mm (91")	2890mm (114")						
<i>Overall Width</i>	1884mm (74")	2200mm (87")	2460mm (97")	3130mm (123")						
<i>Height</i>	1085mm (43")	1085mm (43")	1085mm (43")	1085mm (43")						
<i>Cut Height Range</i>	10-110mm (3/8"-4 1/2")	10-110mm (3/8"-4 1/2")	10-110mm (3/8"-4 1/2")	10-110mm (3/8"-4 1/2")						
<i>No. of Blade Spindles</i>	3	3	4	5						
<i>Approx. Weight</i>	503kg	566kg	616kg	712kg						
<i>Power Required</i>	35hp	40hp	45hp	55hp						
<i>Warranty (Years)</i>	3	3	3	3						
<i>Application</i>	●	●	—	●	●	●	●	●	●	●
	Municipality	Horticulture	Agriculture	Turf Farm	School	Lifestyle	Racecourse	Sports Field	Golf	Aviation



To view more videos visit [www.trimaxmowers.co.uk](http://www.trimaxmowers.co.uk)

# Features

## 3 YEAR WARRANTY

We aim to build mowers that last and we back this up with a 3 year warranty which also includes the spindles and gearboxes. Our robust design coupled with our experienced service and support network ensures minimum downtime and more productivity.

## LAZERBLADEZ™

Procut FM is fitted with Trimax LazerBladez™, a blade system with a carefully engineered centre of gravity and distinctive tilt-forward blade design unique to trimax. For optimum performance and grass speed.

## FULL WIDTH ROLLERS

Large diameter front and rear rollers on the ProCutS3 follow contours and support the mower across its entire width, providing excellent anti-scalp protection. The mower decks are able to be hung over kerbs and run across concrete areas with no fear of blade strikes.

## LOW MAINTENANCE

To ensure optimum efficiency, the ProCutS3 is fitted with reduced maintenance spindles. This removes the tedious task of regular greasing giving you more time out cutting.

# Options

## QUATTRO BLADE SYSTEM

This system adds 2 more blades to each spindle (2 flat, 2 upturned) for a finer cut on warm season grasses. (Currently unavailable on the 210 model)

## SINGLE ROLLER

These are often used for orchard mowing where the grass is cut very infrequently and low cut heights are not necessary.

## Stealth FM

<b>Cutting Width</b>	3400mm (135")
<b>Overall Width</b>	3600mm (142")
<b>Width (transport mode)</b>	2400mm (94")
<b>Height (transport mode)</b>	1300mm (51")
<b>Cut Height Range</b>	12-115mm (½" - 4 ½")
<b>No. of Blade Spindles</b>	5
<b>Approx. Weight</b>	790kg
<b>Minimum Tractor Size</b>	65hp
<b>Warranty (Years)</b>	3



<b>Application</b>	●	●	—	—	—	—	—	●	●	—	●
--------------------	---	---	---	---	---	---	---	---	---	---	---

Municipality   Horticulture   Agriculture   Turf Farm   School   Lifestyle   Racecourse   Sports Field   GolfA   viation

# Features



## 3 YEAR WARRANTY

We aim to build mowers that last and we back this up with a 3 year warranty which also includes the spindles and gearboxes. Our robust design coupled with our experienced service and support network ensure minimum downtime and more productivity

## CLAWS

With Trimax's unique CLAWS (Controlled Link Active Wing-bounce Suppression) system, wing movement can be damped to hold the wings in contact with the ground when mowing large flat areas or set to allow unrestricted float over undulating ground without bouncing

## LAZERBLADEZ™

Stealth is fitted with Trimax LazerBladez™, a blade system with a carefully engineered centre of gravity and distinctive tilt-forward blade design unique to trimax. For optimum performance and grass speed.

## ANTI-SCALP PROTECTION

Front roller and wing skids provide anti-scalp protection on undulating terrain. Additionally the wing blade system is fitted with anti-scalp discs.

# Options

## DUAL OR INDIVIDUAL WING LIFT

Individual wing lift feature to lift either the left or right decks independently

## GEARBOX

540 or 1000rpm in clockwise or counterclockwise rotation

## ROLLER SCRAPERS

Trimax Helical scrapers ensure constant pressure on the roller and assist with cleaning.





# Stealth<sup>FM</sup>

## Front mount wing mower

The front mounted version of our ever-popular linkage mounted Stealth mower.

This multi-spindled rotary wing mower is ideal for large areas and has a 3.4m cutting width.

It folds to tractor width for safe road transport and with the wings folded up, it has a width of just 2.4m. The 'V' shape ensures the weight is kept near the tractor.

Well proven by professional users in international markets, many contractors have realised the worthwhile gain in productivity after changing to the front mounted version.

Talk to us about how Stealth FM can transform your environment



# Stealth S3

The most versatile Stealth ever

The Stealth S3 has been designed to have a higher quality of cut, operate in a wider range of conditions, be safer, more robust, easier to operate and take less time to maintain than any previous Stealth.

Backed by 30 years experience in the market, the concept of Stealth S3 was born from the demand of our customers for a mower that was more versatile in terms of long grass performance and more user friendly for both the operator and the workshop.

Backed by our three year warranty and UK based parts and technical support, we believe the Stealth S3 to be the best linkage wing mower for passive and active turf in the market.

Ask us how Stealth S3 can transform your environment.



	StealthS3
<b>Cutting Width</b>	3400mm (134")
<b>Overall Width</b>	3550mm (140")
<b>Width (transport mode)</b>	2416mm (95.2")
<b>Height (transport mode)</b>	1205mm (47.5")
<b>Cut Height Range</b>	10-90mm (0.4 - 3.5")
<b>No. of Blade Spindles</b>	5
<b>Approx. Weight</b>	940kg (2070 lbs)
<b>Minimum Tractor Size</b>	60hp
<b>Warranty (Years)</b>	3
<b>Application</b>	<input checked="" type="checkbox"/> Municipality <input type="checkbox"/> Horticulture <input type="checkbox"/> Agriculture <input checked="" type="checkbox"/> Turf Farm <input type="checkbox"/> Sc





# Features



## 3 YEAR WARRANTY

We build mowers that last. Our market leading 3 year warranty proves we stand behind our products and you can have confidence in your purchase decision.

## REVOLUTIONARY ROLLER BEARING DESIGN

Featuring heavy duty Tri-bolt housings, large triple sealed bearings, replaceable stubs and simple yet robust roller retention.

## STAND-ON COVERS

Provides safe and easy access to the rear of the tractor when coupling the mower.

## LOW MAINTENANCE

We've eliminated the need for daily greasing with many new features. Our revolutionary new roller bearing design is proven to offer fewer bearing replacements and our updated spindle technology requires less maintenance and offers greater simplicity. You can spend more time mowing and less time maintaining!

## EASY TO CLEAN

The improved belt chamber design results in easy cleaning, with the front openings allowing the grass to be easily washed or blown out.

## MOST VERSATILE STEALTH EVER

The improved cutting chamber design means a much improved quality of cut and spread in long and short grass. The new baffle design directs airflow from the blades out and over the rear roller, making the Stealth S3 the most versatile Stealth ever.

## EASY, ACCURATE HEIGHT ADJUSTMENT

Clearly displayed cut height indicators allow for simple and easy alteration or resetting of cut heights. You can adjust heights without having to raise and lower the wings.

## LAZERBLADEZ™

StealthS3 is fitted with Trimax LazerBladez™, a blade system with a carefully engineered centre of gravity and distinctive tilt-forward blade design unique to Trimax. For optimum performance and grass spread.

# Options

## INDIVIDUAL WING LIFT/ELECTRIC UNLOCK

Individual wing lift feature to lift either the left or right decks independently when PTO is engaged.

## ROLLER SCRAPERS

Trimax Helical scrapers ensure constant pressure on the roller and assist with cleaning.

## SAFETY STANDS

Lockable stands that hold the mower up to assist with maintenance.

## SAFETY AND STORAGE KIT

Includes toolbox, road lights, safety triangle and mounting bracket for commercial use.



## Snake

Cutting Width	3234mm (127")
Overall Width	3372mm (133")
Width (transport mode)	2050mm (81")
Cut Height Range	10-90mm (3/8"-3 1/2")
Height (transport mode)	1860mm (73")
No. of Blade Spindles	9
Approx. Weight	1240kg
Power Required	35hp
Warranty (Years)	3



Application	●	—	—	●	●	—	—	●	●	—
	Municipality	Horticulture	Agriculture	Turf Farm	School	Lifestyle	Racecourse	Sports Field	Golf	Aviation

# Features



To view more videos visit [www.trimaxmowers.co.uk](http://www.trimaxmowers.co.uk)

## 3 YEAR WARRANTY

We aim to build mowers that last and we back this up by a 3 year warranty which also includes the spindles and gearboxes. Our robust design coupled with our experienced service and support network ensure minimum downtime and more productivity.

## KERB JUMP

The Kerb Jump, also known as 'Cross Cut', enables all three mower decks to be raised just off the ground without disengaging the PTO. This improves productivity by allowing the mower to traverse gravel driveways or paths and quickly turn at headlands.

## ZERO TURN

Continuous cutting while turning for areas such as headlands, tight spaces and around trees.

## LAZERBLADEZ™

Snake is fitted with Trimax LazerBladez™, a blade system with a carefully engineered centre of gravity and distinctive tilt-forward blade design unique to Trimax. For optimum performance and grass speed.

## FULL WIDTH ROLLERS

Full width rollers minimise scalping in extreme undulating conditions and allows mowing over kerbsides, bunkers and potholes without blade strike.

## UP TO 50HR PTO GREASE

With the use of our new FLEX CONE, we can help prevent dust and external agents getting trapped in the bearings, also minimising the risk of PTO's coming in contact with the rotating parts of the drives. This greatly reduces the amount of greasing required, extending intervals out to as much as 50 hours.

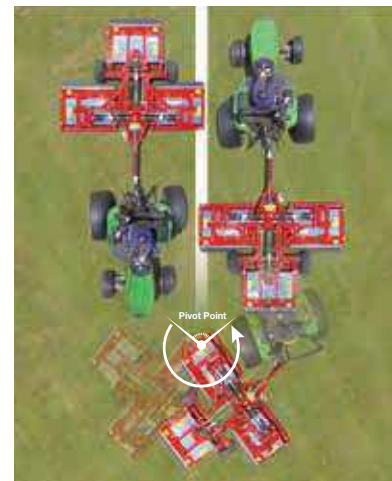
# Options

## ROADKIT

The road kit option adds mudguards to the wheels and includes LED tail light clusters.

## REMOTE UNLOCK

The remote unlock option replaces the standard transport lock release rope with an electric actuator. This is operated by a push-button on the tractor.





# Snake

**3.2m width for compact tractors**

Snake is the accumulation of over 30 years of Trimax innovation, engineering and customer insight. Designed for sports turf and golf courses, Snake has the unique ability to transform a variety of conditions into an even carpet of green.

We've seamlessly combined our world class cut quality and have added articulation capabilities never seen before on a Trimax mower.

Built for agility, and incredibly robust, the Trimax Snake won't fail to impress. Snake owners benefit from a proven 3 year warranty and genuine Trimax support.

Talk to us today about the capabilities of Snake in your environment.



# Pegasus S3™

**Trimax presentation and quality for wide area, road legal mowing**

Since its original release in 2001, the Pegasus established itself as the benchmark in wide area mowing applications such as parks, reserves, airports, racetracks, sports fields and turf farms.

Despite its large cut width, the mower is deceptively capable on undulating terrain thanks to impressive deck articulation and full width rollers which prevent scalping. It is also capable of performing a zero turn and can manoeuvre around trees and other obstacles with ease.

The Pegasus S3 combines flawless cutting performance with incredible versatility – it will give a cut finish equal to a cylinder mower in short grass, whilst in longer grass there is simply no comparison.

Another major advantage offered by the Pegasus S3 is its exceptionally low maintenance requirements compared to cylinder and other rotary mowers, making it a popular choice for commercial applications where minimal downtime is a priority.

View testimonials of customers who are saving thousands per year on maintenance alone with Pegasus at [www.trimaxmowers.co.uk](http://www.trimaxmowers.co.uk)

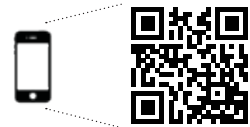




	P3 493	P3 610
<b>Cutting Width</b>	4926mm (194")	6074mm (239")
<b>Overall Width</b>	5082mm (200")	6230mm (245")
<b>Transport Mode</b>	2500mm (98")	2500mm (98")
<b>Overall Length</b>	4320mm (170")	4320mm (170")
<b>Cut Height Range</b>	10-110mm (3/8"-4 1/2")	10-110mm (3/8"-4 1/2")
<b>No. of Spindles</b>	9	11
<b>Approx. Weight</b>	2200kg	2400kg
<b>Power Required</b>	50hp	55hp
<b>Warranty</b>	3	3
<b>Application</b>	<div style="display: flex; justify-content: space-around; align-items: center;"> <span>● Municipality</span> <span>● Horticulture</span> <span>— Agriculture</span> <span>● Turf Farm</span> <span>● School</span> <span>● Lifestyle</span> <span>● Racecourse</span> <span>● Sports Field</span> <span>● Golf</span> <span>● Aviation</span> </div>	



# Features



To view more videos visit [www.trimaxmowers.co.uk](http://www.trimaxmowers.co.uk)

## LOW MAINTENANCE

To ensure optimum efficiency, the PegasusS3 is fitted with reduced maintenance spindles. This removes the tedious task of regular greasing giving you more time out cutting.

## BUILT TOUGH

The PegasusS3 is designed specifically for full time commercial use in a wide range of demanding conditions. Only the highest quality, heavy duty materials and components are used to ensure total dependability at all times.

## CLEAN CUTTING

Trimax's famous LazerBlade™ fling-tip blades are fitted as standard on the PegasusS3, which help achieve a superior cut finish through an optimised blade thickness and air flow, a carefully engineered centre of gravity and unique 'tilt forward' blade system. LazerBlade™ are much more cost efficient than (reel or) solid beams as only the fling-tip portion of the blade is replaced.

## FULL WIDTH ROLLERS

Full width rollers on all decks follow the contours of the ground and provide excellent anti-scalp protection. Rollers also allow mowing along the edge of banks or paths and produce a superb striping effect for those wishing to pattern their turf. Safety is enhanced as rollers contain debris in the cutting chamber.

# Options

## ILS

The ILS (Individual Lift System) allows operators to independently lift and lower the left and/or right hand mowing decks while the mower is in operation. With pre-emptive blade disengagement and proximity sensors, it's the safest system on the market.

## QUATTRO BLADE SYSTEM

This system adds 2 more blades to each spindle (2 flat, 2 upturned) for a finer cut on warm season grasses.

## REMOTE UNLOCK

The remote unlock option replaces the standard transport lock release rope with an electric actuator. This is operated by a push-button on the tractor.

## XWAM 1040

<b>Cutting Width</b>	10410mm (410")
<b>Overall Width</b>	10540mm (415")
<b>Transport Mode</b>	2740mm (108")
<b>Overall Length</b>	5500mm (217")
<b>Cut Height Range</b>	10-110mm (3/8"-4 1/2")
<b>No. of Spindles</b>	19
<b>Approx. Weight</b>	4880kg
<b>Power Required</b>	90hp
<b>Warranty</b>	3



### Application

—	—	—	●	—	—	●	—	●	●
Municipality	Horticulture	Agriculture	Turf Farm	School	Lifestyle	Racecourse	Sports Field	Golf	Aviation

# Features

## 3 YEAR WARRANTY

We aim to build mowers that last and we back this up by a 3 year warranty which also includes the spindles and gearboxes. Our robust design coupled with our experienced service and support network ensure minimum downtime and more productivity.

## LAZERBLADEZ™

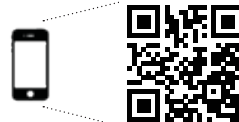
X-WAM is fitted with Trimax LazerBladez™, a blade system with a carefully engineered centre of gravity and distinctive tilt-forward blade design unique to Trimax. For optimum performance and grass speed.

## LOW MAINTENANCE

Ease of maintenance and reliability are engineered into the X-WAM design. All moving surfaces have long life synthetic bushes or greasable bearings. Remote grease points are centralised and raising the mower decks provides unobstructed access to the mower under-body for safe and hassle-free maintenance.

*“Trimax X-WAM is great equipment, it replaced one tractor, one employee and reduced mowing time. Less equipment to maintain and less equipment expense has increased our Profitability”*

Lynn Gibb - Hope Plantation Turf



To view more videos visit [www.trimaxmowers.co.uk](http://www.trimaxmowers.co.uk)





# X-WAM™

**Ultimate wide area mowing when quality counts**

The X-WAM has superior contour following abilities based on the unique combination of individually floating decks and articulated axis. With the potential to cut 33 acres per hour and the ability to perform zero-turns without having to lift any of the mower decks, the X-WAM will increase your productivity using one tractor, one driver, and one mower to cut 2/3 more area with a cylinder-like cut finish.

Talk to us today about the capabilities of X-WAM in your environment.



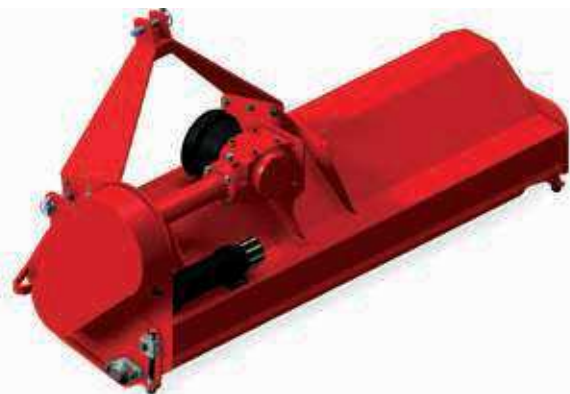
# EzeemowFX™

## Trimax flail technology for compact tractors

The new EzeemowFX is the ideal partner for your compact tractor where versatility and robustness is needed. EzeemowFX now includes our unique Converter™ system giving you greater mowing versatility from short grass to heavy conditions.

EzeemowFX can handle fine turf, small prunings and one meter high grass and scrub with minimal maintenance and maximum reliability. This versatility makes the EzeemowFX ideal for contractors, councils, roadsides, estates, and orchard applications. EzeemowFX is compatible with tractors from 20 to 45hp and its compact dimensions allow manoeuvrability in tight corners.

Talk to us today about EzeemowFX for your environment.

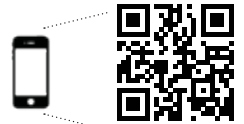






	EFX 135	EFX 155	EFX 185							
<b>Cutting Width</b>	1342mm (53")	1520mm (60")	1830mm (72")							
<b>Overall Width</b>	1560mm (61")	1720mm (68")	2045mm (81")							
<b>Overall Length</b>	583mm (23")	583mm (23")	583mm (23")							
<b>Cut Height Range</b>	10-110mm (3/8"-4 1/2")	10-110mm (3/8"-4 1/2")	6-96mm (1/4"-4")							
<b>Approx. Weight</b>	180kg	200kg	225kg							
<b>Power Required</b>	20hp	20hp	24hp							
<b>Warranty</b>	3	3	3							
<b>Application</b>	●	●	●	●	—	—	—	—	—	—
	Municipality	Horticulture	Agriculture	Turf Farm	School	Lifestyle	Racecourse	Sports Field	Golf	Aviation

# Features



To view more videos visit [www.trimaxmowers.co.uk](http://www.trimaxmowers.co.uk)

## 3 YEAR WARRANTY

We aim to build mowers that last and we back this up by a 3 year warranty. Our robust design coupled with our experienced service and support network ensure minimum downtime and more productivity.

## RUGGED CONSTRUCTION

Well thought out design, high strength materials and robust monocoque construction ensure the Ezeemow can withstand the harshest conditions and the most demanding operators.

## SAFETY FIRST

Safety is of paramount importance when mowing in public areas such as parks, schools and roadsides. This is why Trimax has designed the Ezeemow to expel debris in a downward direction behind the mower.

## POWER SAVING FLAILS

The aerodynamic shape of Trimax's unique Gamma™ flails means the tractor's power is used for cutting grass or shredding vegetation, not for pumping air. This equates to lower horsepower requirements, allowing this mower to operate in difficult conditions when powered by a compact tractor.

## UNIQUE CONVERTER™

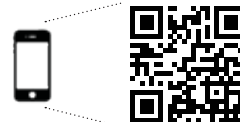
When lowered Trimax's unique and patented Converter™ feature exhibits superb short grass cutting ability by creating airflow that lifts the grass before it's cut. For work in heavy environments the Converter™ can be quickly lifted allowing more grass to be processed within the mower to increase productivity.

*"I've been mowing 30hrs a week for over 28 years and my Ezeemow still has the same gearbox. It produces a beautiful cut and if I had to, I'd replace it with the exact same model..no two ways about it!"*

Steve De Bruin – Grass Cutting Services

	FFX 135	FFX 155	FFX 185
<b>Cutting Width</b>	1342mm (53")	1520mm (60")	1830mm (72")
<b>Overall Width</b>	1560mm (61")	1720mm (68")	2045mm (81")
<b>Overall Length</b>	1095mm (43")	1095mm (43")	1095mm (43")
<b>Cut Height Range</b>	12-102mm (½"-4")	12-102mm (½"-4")	12-102mm (½"-4")
<b>Approx. Weight</b>	210kg	225kg	250kg
<b>Power Required</b>	*Specific tractors only		
<b>Hydraulic Drive*</b>	N/A	Optional	N/A
<b>Warranty (Years)</b>	3	3	3
<b>Application</b>			

# Features



To view more videos visit [www.trimaxmowers.co.uk](http://www.trimaxmowers.co.uk)

## 3 YEAR WARRANTY

We aim to build mowers that last and we back this up with a 3 year warranty. Our robust design coupled with our experienced service and support network ensure minimum downtime and more productivity.

## UNIQUE CONVERTER™

When lowered Trimax's unique and patented Converter™ feature exhibits superb short grass cutting ability by creating airflow that lifts the grass before it's cut. For work in heavy environments the Converter™ can be quickly lifted allowing more grass to be processed within the mower to increase productivity.

## REAR ROLLER

The full width rear roller prevents unsightly scalping and permits the edge of the mower to be run along kerbs and banks without fear of blade strike. The roller also adds to overall safety and produces a brilliant striping effect for those wishing to pattern their turf.

## PUNCTURE PROOF TYRES

Our newest feature to the FlaildekFX! Our puncture proof tyres ensure maximum uptime and greater productivity.

## POWER SAVING FLAILS

The aerodynamic shape of Trimax's unique Gamma™ flails means the tractor's power is used for cutting grass or shredding vegetation, not for pumping air. This equates to lower horsepower requirements, allowing this mower to operate in difficult conditions when powered by a compact tractor.

# Options



## Y-FLAILS

Y-flails are available for use in dry and dusty conditions.

## HYDRAULIC DRIVE AVAILABLE

FlaildekFX is available with hydraulic drive for use with selected power units i.e the Ransomes \*HR300 and the Toro GM3400.

\* Requires fitting kit LMAC419. Purchased separately.





# FlailDek<sup>FX</sup>

**Trimax flail technology for out front operation**



The Trimax FlailDekFX is the standard in out front flail cutting in the UK. It offers a high performance alternative to the standard factory-fitted rotary mowing attachments found on John Deere, Kubota, Iseki, New Holland, Ransomes and Toro out-front tractors.

With the ability to deliver an exceptionally clean cut and disperse clippings safely FlailDekFX is suitable for sports grounds, roadsides, schools, parks and other fine turf applications.

Talk to us today about how the FlailDekFX can keep you mowing consistently in the most demanding environments.



Left Hand Offset Option

# Warlord S3™

## Heavy duty flail mulcher mower

The all new Warlord S3 with it's hydraulic sideshift operation makes for a powerful working companion in commercial applications. We've designed the Warlord S3 to be safe and reliable for roadside and contracting work and have maintained our robust build which made the S3 the flail choice for hire fleets. With the ability to shred branches up to 75mm in diameter and fitted with unique features such as 3 year warranty, pruning guide and an adjustable rear flap, the Warlord S3 is a serious commercial flail mower.

Ask for your demonstration today.





Warlord Pruning Guide



	WS3 175	WS3 205	WS3 235							
<i>Cutting Width</i>	1740mm (69")	2040mm (80")	2340mm (92")							
<i>Overall Width</i>	2036mm (80")	2336mm (92")	2636mm (104")							
<i>Overall Length</i>	1050mm (41")	1050mm (41")	1050mm (41")							
<i>Cut Height Range</i>	10-100mm (3/8"-4")	10-100mm (3/8"-4")	10-100mm (3/8"-4")							
<i>Approx. Weight</i>	660kg	750kg	800kg							
<i>Power Required</i>	45hp	50hp	55hp							
<i>Rollers</i>	1	1	1							
<i>Flails per mower</i>	24	28	32							
<i>Application</i>	●	●	●	●	—	—	—	—	—	—

Municipality Horticulture Agriculture Turf Farm School Lifestyle Racecourse Sports Field Golf Aviation



# Features

## HYDRAULIC SIDE SHIFT

The Warlord S3 can be positioned directly behind the tractor or quickly offset by up to 500mm. This is perfect for transport and for manoeuvring around obstacles.

## 3 YEAR WARRANTY

We stand behind our products in the most demanding conditions and we are proud to offer Warlord S3 with a market leading 3 year warranty.

## DISCHARGE CONTROL

The coarseness of the mulch is controlled by the height of the rear flap. The finest mulch is produced with the flap in its lowest position. Lifting the flap allows more material to be processed. Controlling the discharge also assists with safety in public spaces. Lifting the flap fully open makes for easier flail servicing.

## PRUNING GUIDE

The guide helps direct prunings and other foliage in and under the Warlord that would otherwise be too high to fit through the front aperture. It also helps keep debris away from the hydraulic system for protection in challenging environments.

## HEAVY DUTY SKIDS

The replaceable skids are ideal for operations where one side of the machine commonly runs on hard terrain.

## INTERNAL LINER

A 6mm replaceable internal liner increases the life of the body, minimised damage and reduces noise.

# Options

## HEAVY DUTY ROLLER

Upgrade from the 9mm thick roller to an 11mm heavy duty roller for more demanding applications.

## LEFT-HAND OFFSET

Warlord can be specified with left-hand offset. See offset graphs on page 31 for configurations.



## Our warranty claims are less than 1%

The industry standard is over 2%.  
That means we build our mowers tough!  
Because of this, we're proud to offer our  
3 year warranty on all of our flail mowers.



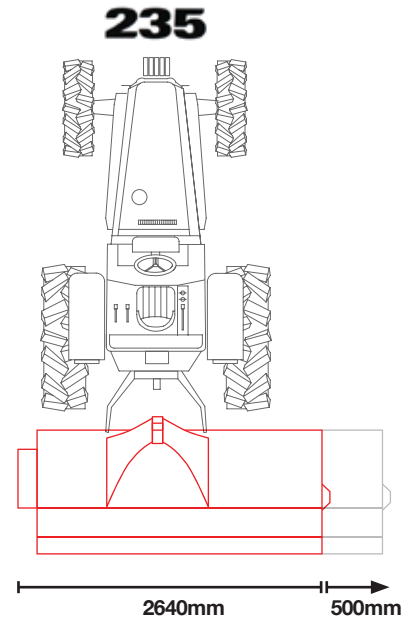
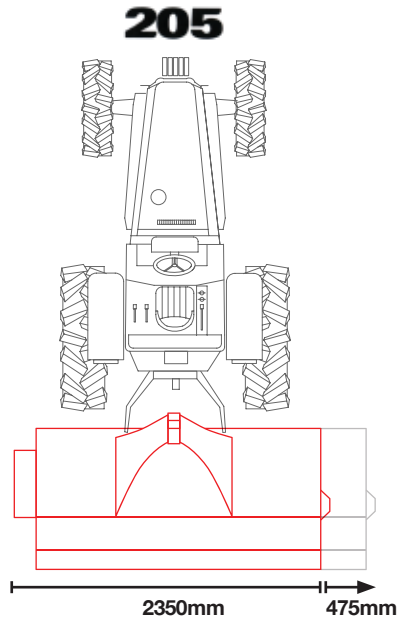
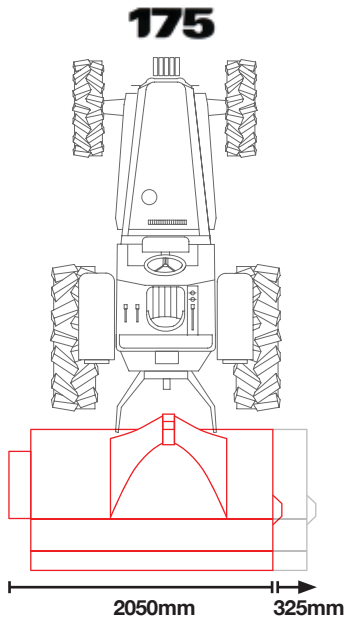
# Offset Graphs



## Warlord S3™

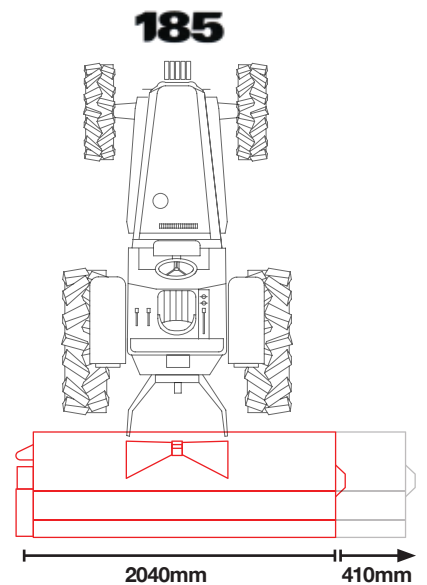
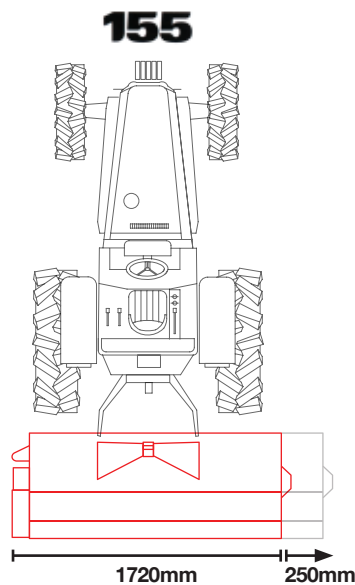
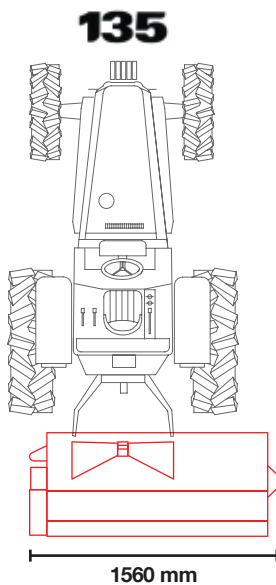
*Hydraulic Side Shift*

Left hand  
offsets  
available



## Ezeemow FX™

Fixed  
Offset  
Available



Please note EzeemowFX is only available in fixed offset positions.



40 Lower Farm Road  
Moulton Park  
Northamptonshire  
NN3 6XF

**Phone. 01933 652235**

email: [info@trimaxmowers.co.uk](mailto:info@trimaxmowers.co.uk)

Your nearest authorised dealer: